

# T80Z Thermostatic Fast-Fit

Thermostatic Electric Shower

## Product Codes

T80Z Thermostatic Fast-Fit 8.5kW	SP8008ZFFTHM
T80Z Thermostatic Fast-Fit 9.5kW	SP8009ZFFTHM
T80Z Thermostatic Fast-Fit 10.5kW	SP8001ZFFTHM



## Installation

- Thermostatic temperature control - maintains consistent, comfortable showering temperature
- Inlet connection: 15mm diameter
- Outlet connection: 1/2" BSP male thread
- Generous footprint will cover the original T80Z Fast-Fit as well as most competitor models
- 8 water and 6 cable entry points
- Easy pipe connection either left or right, 15mm compression fitting
- Wire free cover fit
- Easy fit entry trims which can be installed with the shower in situ, no tools required
- Swing-Fit™ for left and right-hand side cable connections
- Swivel Fit™ for left and right-hand side water connections

## Commissioning

- Simple 2 minute commissioning process

## End User

- Separate flow and temperature controls
- Push-Button Start/Stop – Retains you preferred power and temperature setting
- Easy Clean 5 spray pattern shower head with removable spray plate
- Efficient A energy rating

## Flexible Shower Kit

- Adjustable top bracket Shower Kit – Ideal for replacements
- 1.25m Anti-Twist Hose – Designed to avoid twists and kinks



# T80Z Thermostatic Fast-Fit

## Thermostatic Electric Shower

### Shower

Temperature stability	Thermostatic +/-2°C
Power ratings	8.5kW, 9.5kW, 10.5kW (240v)
Finish	White & Chrome
Controls	Start/stop button & temperature control dial
Visual indicators	Power-on/low pressure indicator
Inlet Connection	15mm compression
Water Entry Points	Top, bottom, side bottom, back (left hand side unit) Top, bottom, side bottom, back (right hand side unit)
Cable Entry Points	Top, bottom, back (left hand side unit) Top, bottom, back (right hand side unit)
Outlet Connection	½" BSP
Plumbing System Compatibility	Cold mains only
Minimum Running Pressure/Flow	1 bar at 8l/min 1.5 bar at 11l/min for 10.5kW*
Maximum Static Pressure	10 Bar
Approvals, Complies with	BEAB, CE, UKCA, BSI Kitemark, KIWA Reg 4
Guarantee	2 years

#### Diagram Key:



Water Entry Points



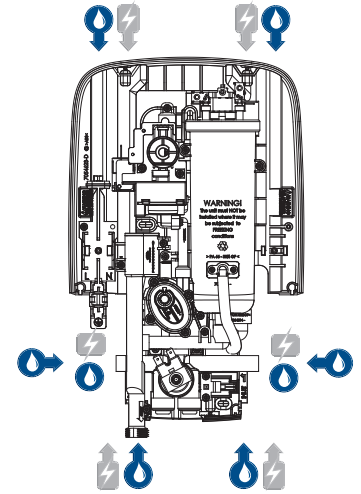
Cable Entry Points

#### Dimensions:

H: 345mm

W: 226mm

D: 120mm



### Riser Rail Kit

#### Standard version

Length	530mm
Diameter	19mm
Material	Stainless Steel
Finish	Polished
Hose	1.25m Anti-twist Chrome



Lewis Shower Riser Rail  
TSKLEWCH

### IMPORTANT MAINTENANCE NOTICE

Replacing specified Triton accessories for this T80Z Thermostatic Fast-Fit unit will aid optimum performance and keep the unit within the allocated guarantee period



1.25m Anti-twist Hose - Chrome  
TSHG1203



Showerhead (5 Spray Pattern)  
TSHE8RCCHR

Contact our specification team

Call: 02476 324 776 | Email: [specification@tritonshowers.co.uk](mailto:specification@tritonshowers.co.uk) | Web: [www.tritonshowers.co.uk/specifiers](http://www.tritonshowers.co.uk/specifiers)