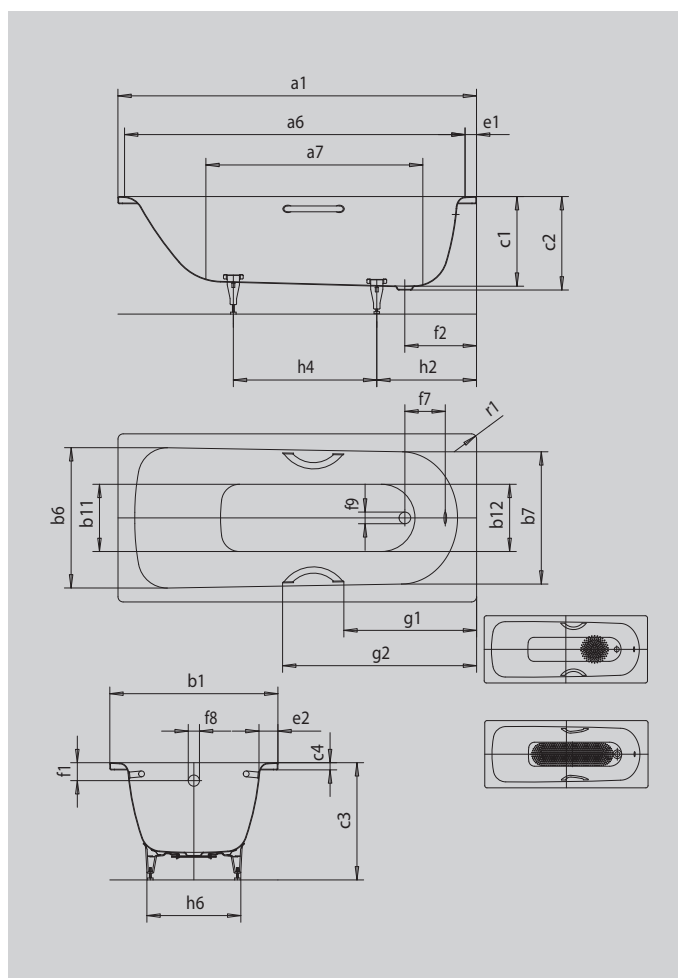


SANIFORM PLUS SANIFORM PLUS STAR

- Single-seat bath with waste positioned at the foot end
- Classic four-cornered model
- Also available with grips
- Made of KALDEWEI steel enamel



Similar illustration



UNIVERSAL GRIP TYPE A



Model		330
External length [mm]	a ₁	1400 mm
Internal length (top) [mm]	a ₆	1230 mm
Internal length (bottom) [mm]	a ₇	850 mm
External width [mm]	b ₁	700 mm
Internal width (top) [mm]	b ₆ ; b ₇	550; 530 mm
Internal width (bottom) [mm]	b ₁₁ ; b ₁₂	390; 350 mm
Depth inside [mm]	c ₁	400 mm
Depth incl. waste hole [mm]	c ₂	410 mm
Height with feet [mm]	c ₃	545 - 560 mm
Height of rim [mm]	c ₄	32 mm
Width of rim (foot end; long side) [mm]	e ₁ ; e ₂	70; 75 mm
Distance top edge to centre of overflow hole [mm]	f ₁	63 mm
Distance bath edge to centre of waste hole [mm]	f ₂	310 mm
Distance centre of waste hole to centre of overflow hole [mm]	f ₇	212 mm
Diameter of overflow hole [mm]	f ₈	Ø 52 mm
Diameter of waste hole [mm]	f ₉	Ø 52 mm
Distance bath edge (foot end) to start of grip [mm]	g ₁	484 mm
Distance bath edge (foot end) to end of grip [mm]	g ₂	759 mm
Distance foot end of bath edge to centre of foot [mm]	h ₂	455 mm
Distance between the feet [mm]	h ₄	445 mm
Width of feet max. [mm]	h ₈	380 mm
External radius [mm]	r ₁	23 mm
Water volume [l]		67 l
Net weight [kg]		35 kg
Diameter of anti-slip [mm]		Ø 288 mm
Full anti-slip		600 x 220 mm

Subject to technical alterations, tolerances and errors. Similar illustration. 70 litres displacement on average.

KALDEWEI